

Technical Data Sheet

Compressor model **GL60AAa**
 Voltage **220-240V 50Hz ~1**
 Refrigerant **R134a**

APPLICATION

Application Low Back Pressure
 Refrigerant R134a
 Evaporating Temp. -35,0 °C to -10,0 °C
 Expansion Capillar
 Comp. Cooling Static
 Max. ambient temp. 43,0 °C

COMPRESSOR

Displacement 5,98 cm³
 Diameter 20,88 mm
 Stroke 17,47 mm
 Net Weight 8,40 Kg
 Oil type ISO VG 22 ESTER
 Oil charge 210 cm³

MOTOR

Approximate Power 1/6 hp
 Voltage/Frequency 220V 50Hz
 Voltage range 187-264 V
 Type RSIR
 Phase number 1 P
 Locked rotor current 9,00 A
 Main W. resist. at 25°C 20,00 Ω
 Start W. resist. at 25°C 24,55 Ω

NOMINAL PERFORMANCE

	ASHRAE	CECOMAF
Cooling Capacity	126 kcal/h	107 W
COP	1,10 W/W	0,85 W/W
EER	0,95 kcal/Wh	0,73 kcal/Wh
Input Power	133 W	126 W
Current	0,87 A	0,85 A

APPROVALS



TEST CYCLE CONDITIONS

	ASHRAE LBP (B)	CECOMAF LBP (A)
Evaporating temp.	-23,3 °C	-25,0 °C
Condensing temp.	55,0 °C	55,0 °C
Liquid temp.	32,0 °C	55,0 °C
Ambient temp.	32,0 °C	32,0 °C
Suction temp.	32,0 °C	32,0 °C
Voltage/Frequency	220 V 50 Hz	220 V 50 Hz

ELECTRICAL COMPONENTS

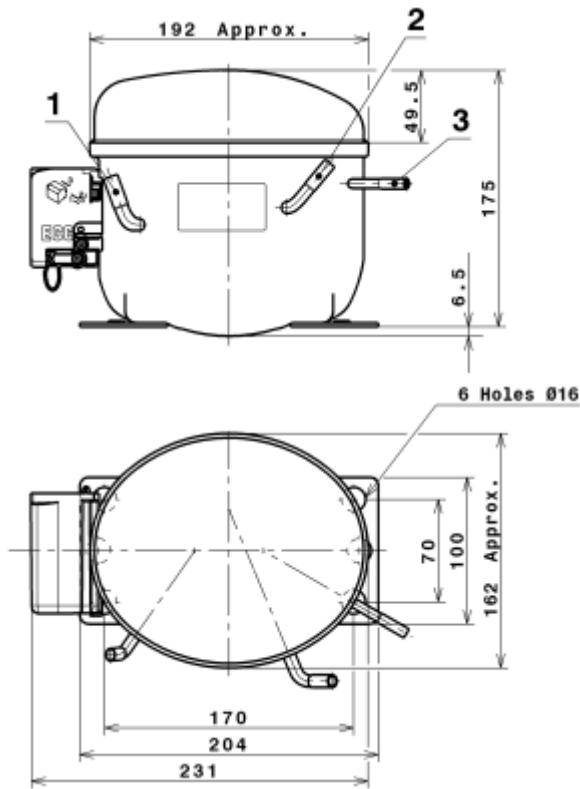
Relay	Option 1			
Reference	PTC K100			
Voltage	200 - 240 V			
Resistance	14,00 Ω			
Protector	Option 1	Option 2	Option 3	Option 4
Reference	MRA38024	4TM265NFBYY	T0455	AE18FU
Current	6,30 A	9,20 A	6,30 A	6,30 A
Time check	7,5-14 seg	5-15 seg	7,5-14 seg	7,5-14 seg
Disc temp. (Open/Close)	120,00 / 61,00 °C	120,00 / 61,00 °C	125,00 / 62,00 °C	120,00 / 62,00 °C

ASHRAE

Tc	Te	Cooling Capacity kcal/h	Consumption W	Current A	COP W/W	EER kcal/Wh
40	-35	69	97	0,76	0,83	0,71
40	-30	98	110	0,80	1,04	0,89
40	-25	134	125	0,84	1,25	1,07
40	-23,3	147	130	0,86	1,31	1,13
40	-20	176	142	0,90	1,44	1,24
40	-15	225	161	0,97	1,62	1,39
40	-10	280	183	1,06	1,78	1,53
45	-35	64	94	0,75	0,78	0,67
45	-30	92	109	0,79	0,98	0,85
45	-25	127	125	0,84	1,18	1,01
45	-23,3	140	131	0,86	1,24	1,07
45	-20	168	144	0,91	1,36	1,17
45	-15	216	165	0,98	1,53	1,31
45	-10	271	188	1,08	1,68	1,44
50	-35	58	92	0,75	0,74	0,64
50	-30	86	107	0,79	0,93	0,80
50	-25	120	125	0,85	1,11	0,96
50	-23,3	133	132	0,87	1,17	1,01
50	-20	161	146	0,91	1,28	1,10
50	-15	208	168	1,00	1,44	1,24
50	-10	262	193	1,10	1,58	1,36
55	-35	53	89	0,74	0,69	0,60
55	-30	80	106	0,79	0,87	0,75
55	-25	113	126	0,85	1,05	0,90
55	-23,3	126	133	0,87	1,10	0,95
55	-20	153	148	0,92	1,21	1,04
55	-15	200	172	1,01	1,35	1,16
55	-10	253	198	1,12	1,49	1,28
60	-35	48	86	0,73	0,64	0,55
60	-30	74	105	0,78	0,82	0,70
60	-25	106	126	0,85	0,98	0,84
60	-23,3	119	134	0,87	1,03	0,89
60	-20	146	150	0,93	1,13	0,97
60	-15	191	175	1,02	1,27	1,09
60	-10	244	203	1,14	1,40	1,20
65	-35	42	84	0,73	0,59	0,51
65	-30	68	104	0,78	0,76	0,65
65	-25	100	127	0,85	0,91	0,79
65	-23,3	112	135	0,88	0,97	0,83
65	-20	138	152	0,93	1,06	0,91
65	-15	183	179	1,04	1,19	1,03
65	-10	235	208	1,16	1,31	1,13

Technical Data Sheet

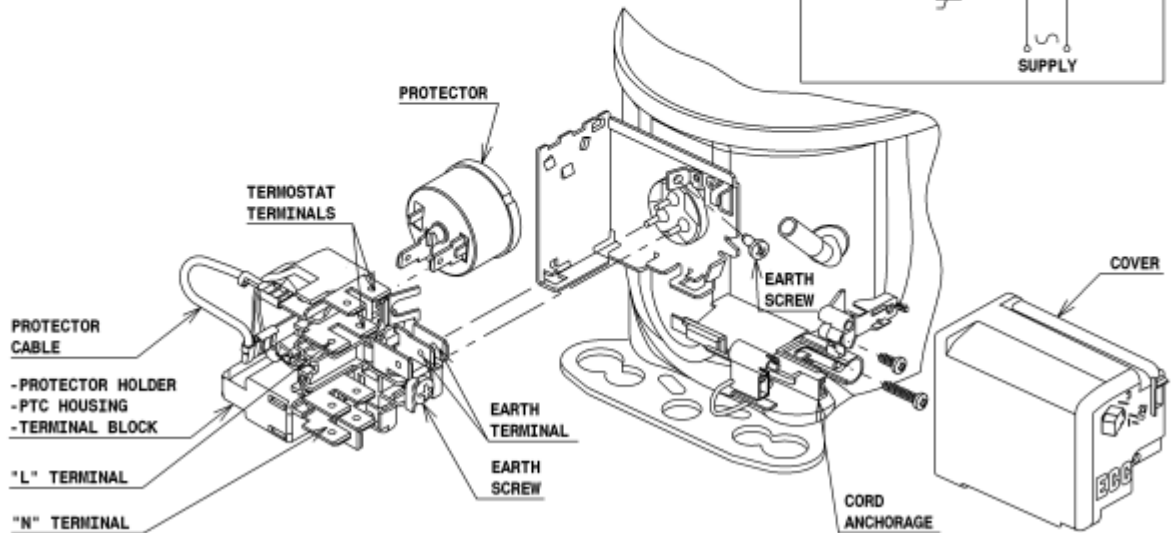
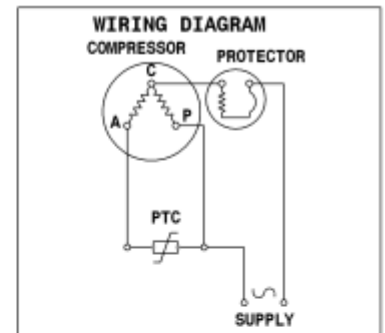
COMPRESSOR DIMENSIONS



DESIGNATION	INTERNAL DIAM.
1 Suction	6,5 mm
2 Service	6,5 mm
3 Discharge	4,9 mm

WIRING DIAGRAMS AND ELECTRICAL ASSEMBLY

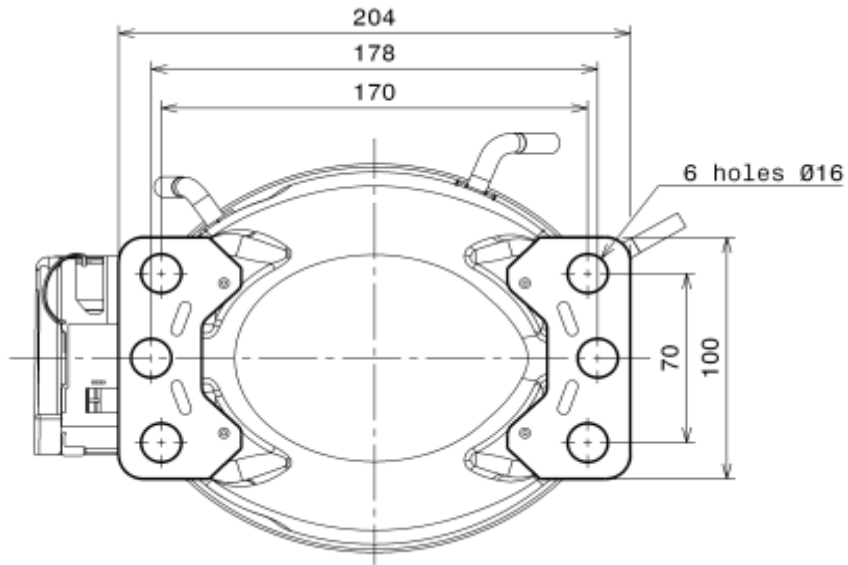
RSIR CONNECTION (PTC)



Technical Data Sheet

FIXINGS

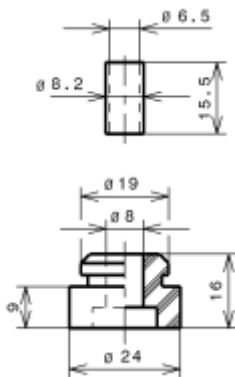
European mounting feet



SILENT BLOCKS (MOUNTING ACCESSORIES)

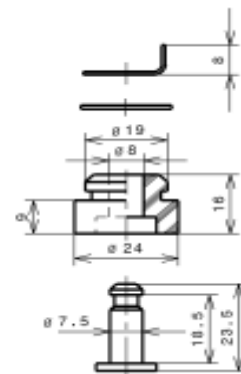
STANDARD

D.16 holds net (170x70)



SNAP-ON

D.16 holds net (170x70)



SOA

SOA R134a LBP

