

COMPRESSOR

Displacement (cm ³)	5.99
Diameter (mm)	20.88
Stroke (mm)	17.48
Net Weight (Kg)	9.3
Oil type	ISO VG 10 ESTER
Oil charge (cm ³)	265

MOTOR

Approximate Power (CV)	-
Voltage/Frequency (V/Hz)	220V 50Hz
Voltage range (V)	187-264
Code	63.507
Type	RSIR
Phase number	1 PH
Locked rotor current (A)	10.3
Main W. resist. at 25°C (Ω)	15.4
Start W. resist. at 25°C (Ω)	20.6

APPLICATION

Application	Low back pressure
Refrigerant	R134a
Evaporating (°C)	-30 to -10
Expansion	Capillar
Comp. cooling	Static
Max. ambient temp. (°C)	43

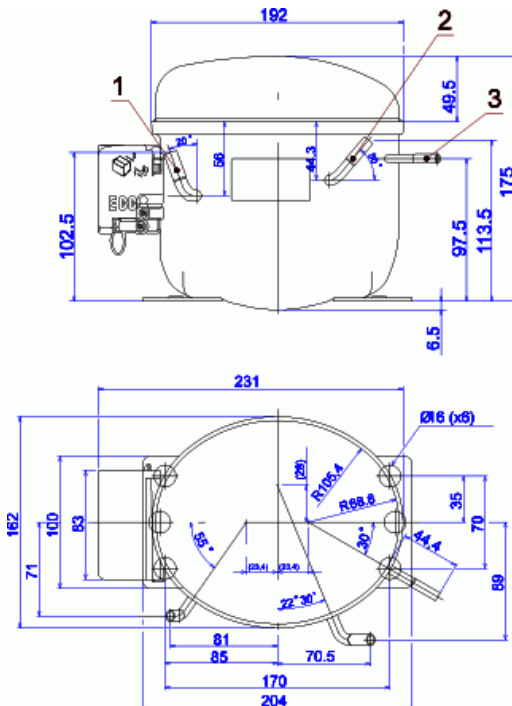
NOMINAL PERFORMANCE	CYCLE A	CYCLE B
Cooling capacity (kcal/h)	102	139
Input power (W)	115	121
EER (kcal/Wh)	0.88	1.14
COP (W/W)	1.03	1.33
Current (A)	0.80	0.83

TEST CONDITIONS

Evaporating temp. (°C)	-25.0	-23.3
Condensing temp. (°C)	55.0	55.0
Liq.t. entering expan. (°C)	55.0	32.0
Ambient t. and return (°C)	32.0	32.0
Tens/Freq (V/Hz)	220V 50Hz	220V 50Hz

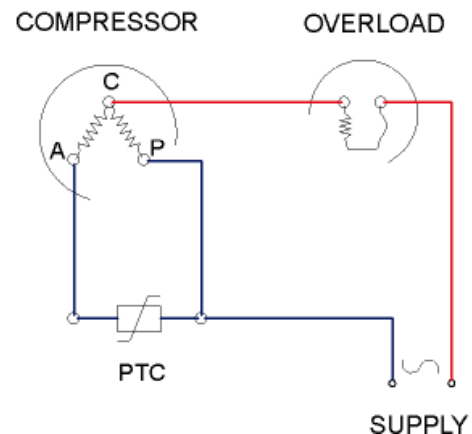
ELECTRICAL COMPONENTS

Relay	PTC 3003 - K100			
Nominal voltage (V)	200 - 240			
Resistanceμ	14,00			
Protector	MRP348LZ	T0530	AF15BU	4TM276NFBY Y
Current (A)	7.4	8.8	8.0	9.0
Time check (seg)	7.5-14	7,5-14	7.5-14	5-15
Disc temp. (Open/Close) (°C)	120.0 / 61.0	110.0 / 61.0	120.0 / 62.0	120.0 / 61.0

DIMENSIONS AND ELECTRICAL DIAGRAM


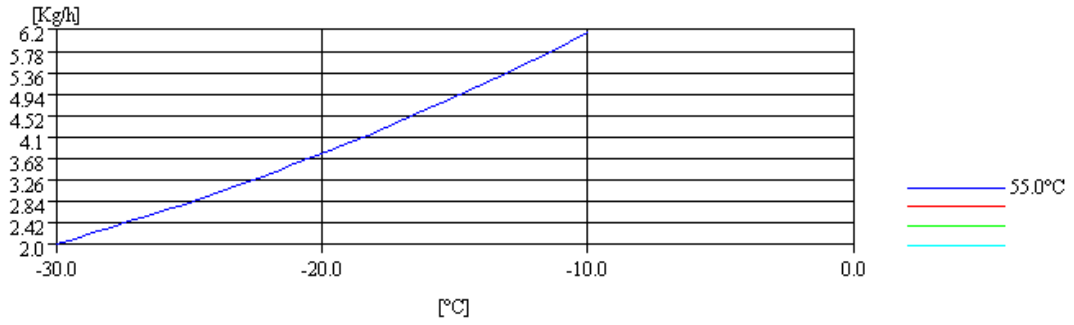
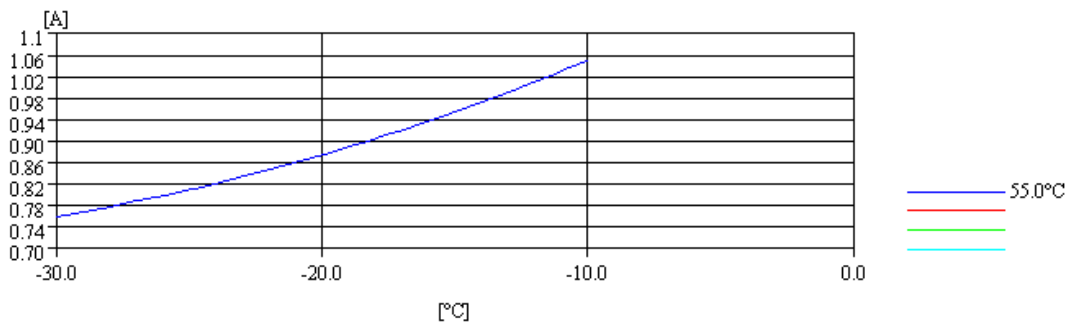
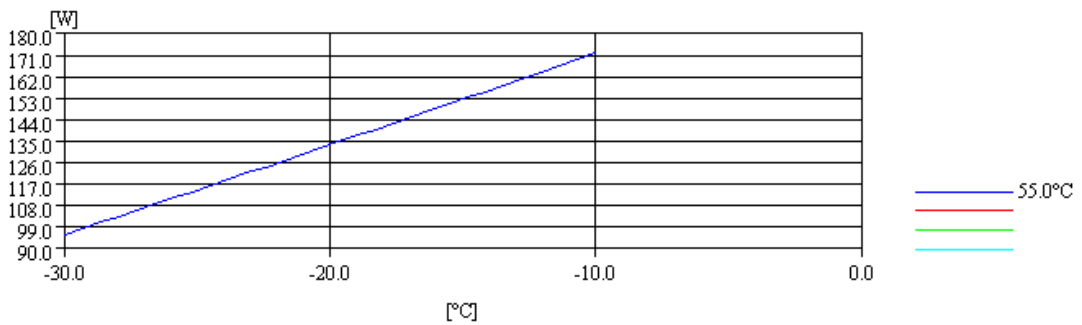
	DESIGNATION	INTERNAL DIAM. (MM)
1	Suction/Service	6.5
2	Service/Suction	6.5
3	Discharge	4.9

RSIR



TEST CONDITIONS

Voltage/frequency	220V 50Hz
Ambient t. and return	32 °C
Liq.t. entering expan.	Subcooling at 32 °C

MASS FLOW

INTENSITY

CONSUMPTION

COOLING CAPACITY
