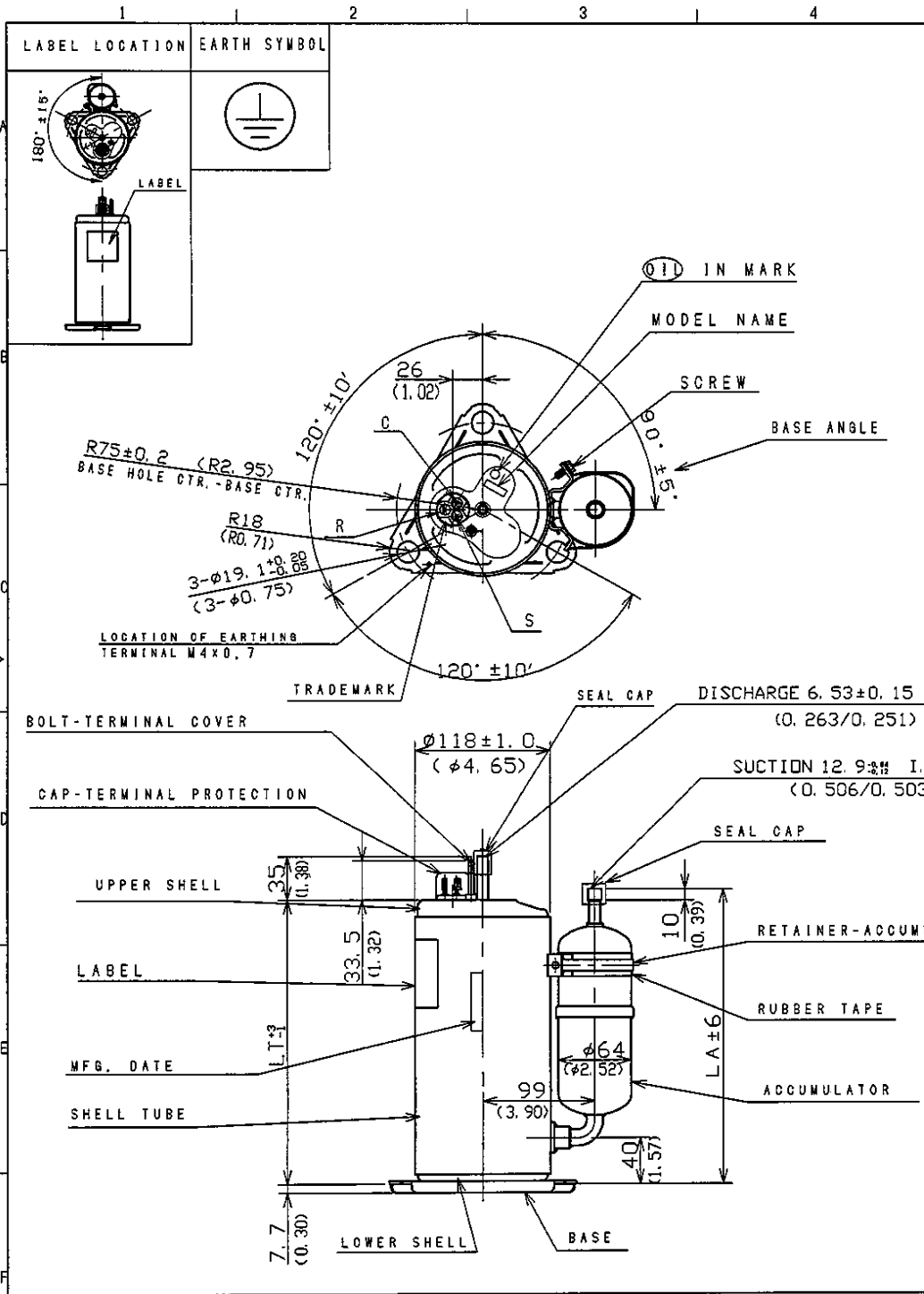


○ (NOTICE) DON'T MEASURE THIS DRAWING (註) 図面を測定しないこと



AD7005601-A

COMMERCIAL TOLERANCE	SYW.	DATE	R	E	V	I	S	I	O	N	SIGNED	CHECKED
±1.5	x											
±3	x											

- NOTES
1. PAINTING : BLACK PAINT BAKED.
 2. OIL : FY50S 350cst CHARGED AND OIL MARK STAMPED ON THE UPPER SHELL.
 3. NITROGEN GAS (OVER ATMOSPHERIC PRESSURE) : CHARGED AFTER DEHYDRATION.
 4. EARTH SYMBOL: SHOWN NEAR THE EARTHING TERMINAL.
 5. ETC. : IDENTIFICATION MARKS FOR COMPRESSOR MANUFACTURING USE MAY BE APPEARED.

AD7005601-A	7005601	SPS108EAA22	249 (9.80)	265 (10.4)	2021.10.10	Checked
DRAW. NO.	PARTS NO.	MODEL NAME	LT	LA	DATE	CHECKED

UNIT: mm (INCH)

SYM.	I	T	E	M	PART NO.	QT.	MATERIAL & SIZE	REMARK
SPECIFICATION						AUTHORIZED		
P-SERIES						COMPRESSOR ASS'Y		
SCALE FREE						DRAWN		
CHECKED						APPROVED		
AD7005601-A						AD7005601-A		