

P

WIRING DIAGRAM & ACCESSORY FITTING
MODEL: P SERIES

No.

SC-W-52170043-A

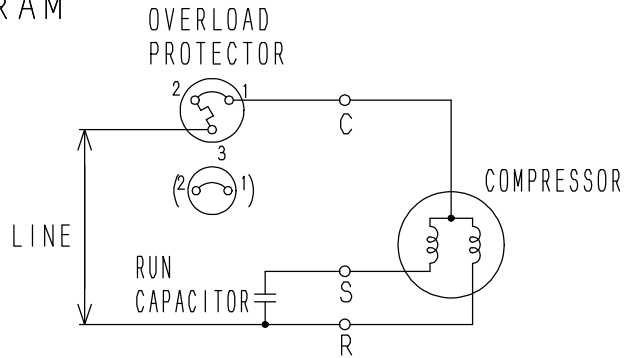
DATE OF APPROVAL

MAY. 01. '85

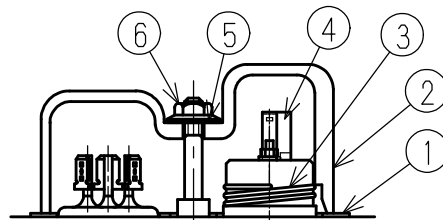
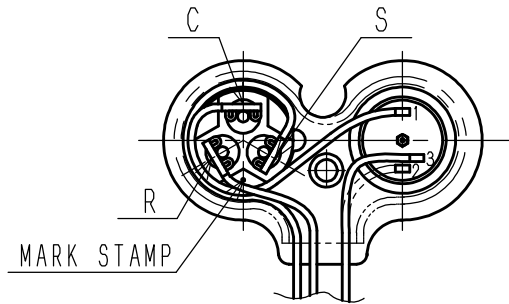
APPROVED BY

Y. SANO

WIRING DIAGRAM



ACCESSORY FITTING



P A R T S	
1	GASKET-TERMINAL COVER
2	TERMINAL COVER
3	SPRING-OLP HOLD DOWN
4	OVERLOAD PROTECTOR
5	GASKET-NUT
6	NUT-TERMINAL COVER

FASTEN NUT⑥ WITH TORQUE
15~20 kg-cm

MOUNTING (EXAMPLE)

